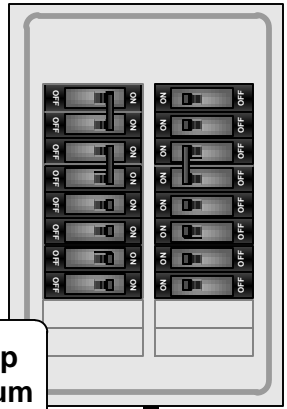
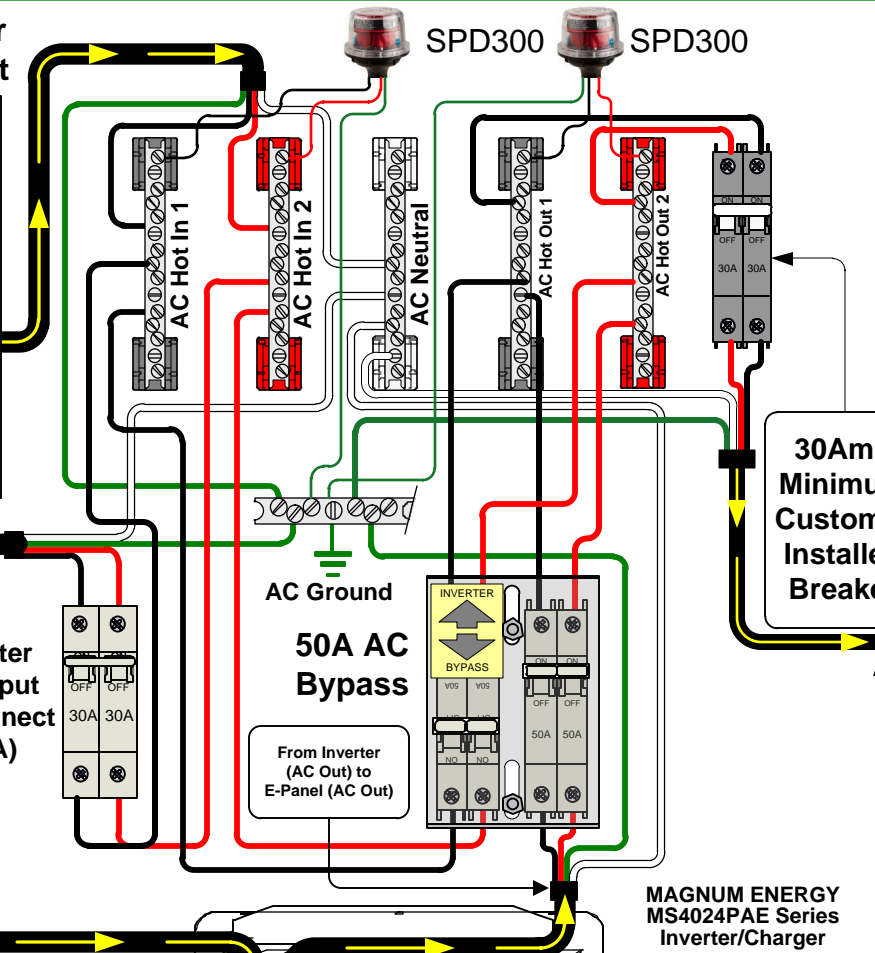
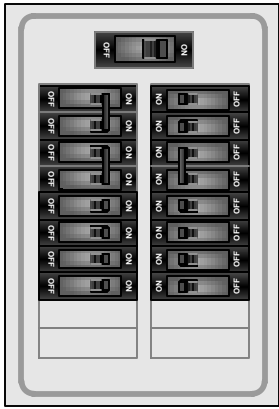


Utility or Generator
120/240VAC Output

SPD300 SPD300

120/240VAC
Load Panel



30Amp
Minimum
Customer
Installed
Breaker

From
E-Panel
(AC In)
to
Inverter
(AC In)

Inverter
AC Input
Disconnect
(30A)

AC Ground
50A AC
Bypass

From Inverter
(AC Out) to
E-Panel (AC Out)

From
E-Panel
(AC out)
to
Load
Center

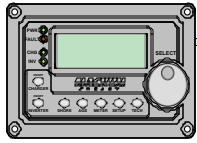
MAGNUM ENERGY
MS4024PAE Series
Inverter/Charger

Optional Breakers/Disconnects
(6 spaces max @ 13mm)

AC WIRING

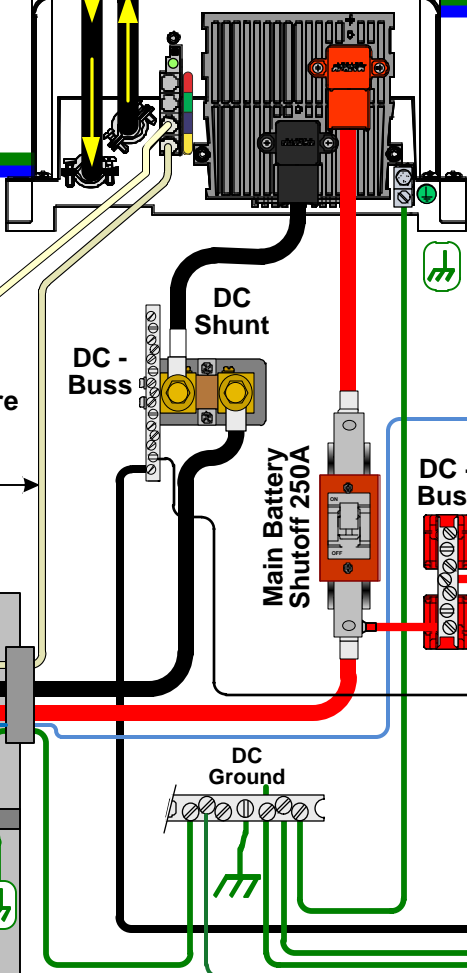
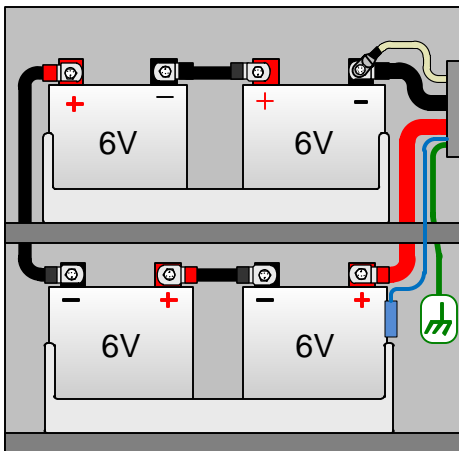
DC WIRING

Remote Control RC-50,
ARC50 or Magnum Router



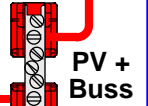
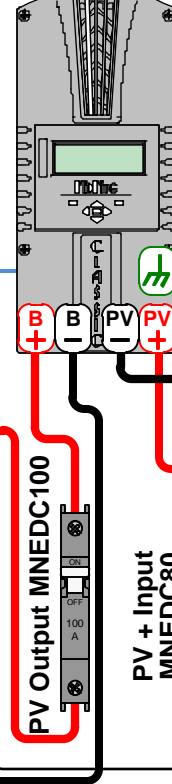
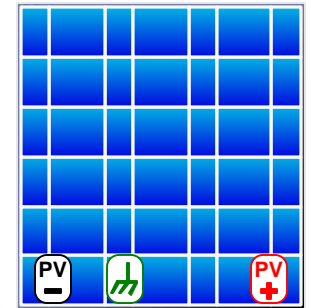
Battery
Temperature
Sensor

Battery Bank
(24VDC)



MIDNITE SOLAR
Classic 150
Controller

PV Panels



SPD300

Note AC and DC Grounds go to the Same
BusBar, Drawn Separate for clarity