

# Specifications

## Features

- Unique - Night time shutdown
- Protection (PV & Batt), against short-circuit & reverse polarity, overload, over temperature & battery removal
- Can charge a completely discharged battery
- Extreme design -40° to +50°C (-40° to +120°F)
- Reliable - 100% solid state
- No need to derate
- Fully encapsulated in epoxy potting
- 5 year warranty
- Manufactured with solar power
- Designed and built in North America

**Model** S3 or S3-24V

## Electrical Specifications

Voltage configurations 12 volts and 24 volts

(custom voltages 6 to 36 volts)

Max. PV open circuit voltage 60V

Max. Charging current at 50 °C (+120F) 3 amps DC

Consumption 0.7mA, 2.5 mA when charging

Typical set points: 14.4V / 28.8V Volts at 20°C (68°F)  
temperature compensated.

## General Specifications

Temperature range: -40° to +50°C -40° to +122°F

Case: ABS case, completely sealed in epoxy

Weight: 50 grams (approx. 2oz)

Size: 2 x 1.5 x 1 inches (3 inches wide with the tabs)

Wire: 18 gauge leads 5 inches long

Mounting: wall mountable

## Features & Options

Custom voltage setpoints

Custom wire lead lengths

## Full 5-Year Warranty

Warranted in entirety, except abuse, within a period of 5 years following the date of purchase. In the event a defect develops during the warranty period, return the unit to eco energy, postage paid. Eco energy will repair or replace the product with a new or reconditioned unit of equivalent quality.

## Eco Energy

Since 1992, Eco Energy has been in the business of designing and manufacturing solar charge controllers, battery chargers, voltage switches, and solar lighting controls.

Eco Energy controls are currently used in power systems for remote homes and cottages, recreational vehicles, boats, telecommunication and navigational systems, natural gas pipeline operations and other solar battery charging applications around the world.

Eco Energy has a 6.5 KW array which is used to help manufacture our controls.



57 Alexander Street  
Belleville Ontario  
Canada K8N 2H4  
Phone: 613 962-9889  
Fax: 613 962-9889  
Email: [info@eco-energy.ca](mailto:info@eco-energy.ca)  
[www.eco-energy.ca](http://www.eco-energy.ca)

Printed Jan. 2014

# Installation Guide

## S3

# 3 Amp PWM Advanced Solar Controller With Temperature Compensation



Advanced Control Solutions



# S3

Tough, easy to install and practically indestructible.

This high performance solar charge controller increases battery life by preventing overcharging. Overcharging can cause corrosion and buckling of the lead plates, increased battery water loss and excess hydrogen gas.

The control also prevents power loss back into the solar modules at night, so an external blocking diode is not required.

Unique no battery drain - Battery standby power consumption is zero! In the dark they use absolutely zero power, ideal for PV systems where efficiency is important. Boaters can leave it connected all winter without draining the batteries. Some other controls which have a standby current draw will drain the battery over the winter with no solar input, reducing the freeze protection of the battery.

Efficient Design – our latest innovation; automatic nighttime shutdown with an intelligent design results in the controller using < 1/10th the power of the industry average. Other controls stay on all night, wasting precious power. Save up to 10% more power from a 5 Watt module.

Safer - Our controls have more built in protection and safety features than any others on the market. They feature automatic over-temperature shutdown, protection from battery removal conditions, over-current, solar and battery reverse polarity, short circuit and over-voltage protection of the inputs and outputs. Eco Energy is the first to combine all of these safety features into one controller. In remote applications, there is no need to worry about accidentally damaging the controllers.

Many innovations in a new design. Going solar with confidence has never been easier.

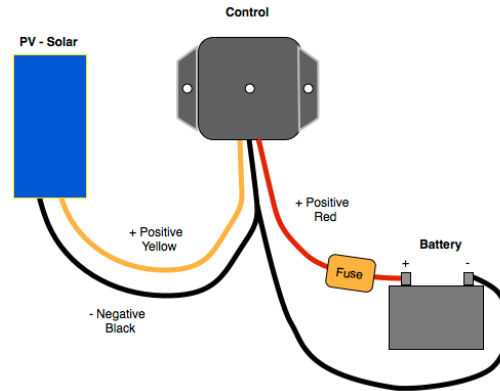
## Installation

### Location

The controller needs to be in a cool location in order to function properly. It should not be in direct sunlight, or mounted in a hot location such as the back of a solar module. The controller should be installed near the batteries, to ensure an accurate battery voltage measurement. The distance from the solar panels to the controller should not exceed 60 feet.

### Wiring

#12 AWG or larger wire should be used.



## Operation

### Charging Flashes

One Flash - Charging below charging setpoint  
Two Flashes - Charging at charging setpoint  
Three Flashes - In float charging mode

The control will switch to float mode after the battery has been at the charging setpoint for a minimum of 10 minutes and a maximum of 4 hours. The amount of time the battery takes to reach the charging setpoint determines the amount of time that is required before switching to float mode. The control will stay in float mode for a minimum of 5 minutes. If the battery voltage drops below the float setpoint a new charging cycle will begin.

At night the control shuts down to save power.