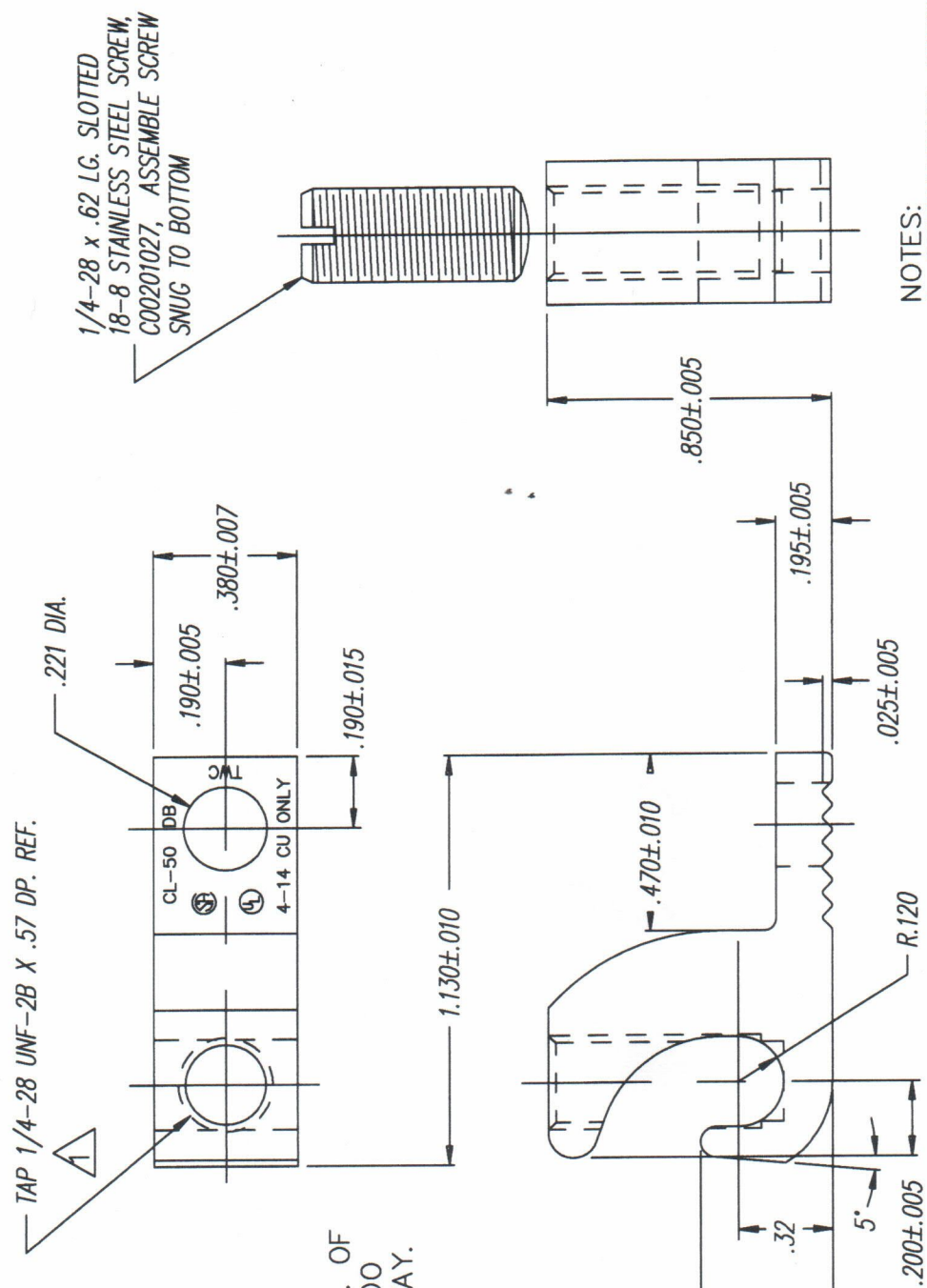


A | B | C | D | E | F | G | H | I | J

ASM. NO. C00497297
 PART NO. C00209297
 C00029297



A TAP WITHIN .090" MAX. OF BOTTOM OF WIREWAY. DO NOT DRILL PAST WIREWAY.

NOTES:
 1. SERRATIONS OPTIONAL

FINISH: TIN PLATE CMS-02

REV	DESCRIPTION	DATE	INIT	UNLESS OTHERWISE SPECIFIED	DRAWN BY	NAME OF PART	CAT. NO.
				.00 = ±.015 .000 = ±.005 ANGLES = ±1/2° [X] = DIMENSION IN MILLIMETERS	3/15/10	LAY-IN ASSEMBLY	CL50-DB
						MATERIAL C13602001 CDA-147 COPPER	SCALE 2-1
A	.195±.005 WAS .150±.005	3/16/10	AML				
CROSS REFERENCE # --							

Certificate of Compliance

Certificate Number **20101029 – E342725-76964**
Report Reference **E342725, 2010 October 28**
Issue Date **2010 October 29**

Page 1 of 1



**Underwriters
Laboratories Inc.®**

Issued to: **TITAN WIRE & CABLE L L C**

**SUITE 103
1300 MARIETTA WAY
SPARKS, NV 89431-6083 USA**

*This is to certify that
representative samples of*

Grounding and Bonding Equipment

Model Descriptions:


Connectors, for direct burial use	CL-50-DB
--	-----------------

Have been investigated by Underwriters Laboratories Inc.® in accordance with the Standard(s) indicated on this Certificate.

Standard(s) for Safety: **The basic standard used to investigate products in this category is ANSI/UL 467, "Grounding and Bonding Equipment."**

Additional Information: **See UL On-line Certification Directory at www.ul.com for additional information.**

Only those products bearing the UL Listing Mark should be considered as being covered by UL's Listing and Follow-Up Service.

The UL Listing Mark generally includes the following elements: the symbol UL in a circle:  with the word "LISTED"; a control number (may be alphanumeric) assigned by UL; and the product category name (product identifier) as indicated in the appropriate UL Directory.

Look for the UL Listing Mark on the product

William R. Carney
Director, North American Certification Programs

Underwriters Laboratories Inc.

Any information and documentation involving UL Mark services are provided on behalf of Underwriters Laboratories Inc. (UL) or any authorized licensee of UL.

For questions, please contact a local UL Customer Service Representative at <http://www.ul.com/global/eng/pages/corporate/contactus/>