

# FLEXware™ PV

Advanced Photovoltaic Combiner

# OutBack Power Systems™



The OutBack Power Systems FLEXware PV combiner series sets the new standard for PV balance-of-system hardware. Ideal for both small or large systems, the FLEXware PV8 and FLEXware PV12 accommodates the overcurrent protection requirements of your application. From 150VDC breakers for low voltage PV systems, to 600VDC fuse holders for high voltage PV systems, the FLEXware PV Combiner series handles it all.

Designed to survive in outdoor environments, the rainproof, UL type 3R powder coated aluminum chassis can be mounted on a wall, sloped roof or pole. The unique angled negative terminal bus bar design makes wiring fast and easy without the larger output conductors blocking access to the smaller input terminals. Dual output lug terminals are included for up to 2/0 AWG conductors. The tinted flame-retardant polycarbonate deadfront panel creates a clean appearance while preventing accidental contact with the live terminals and is easily removable during installation.

The FLEXware PV Combiner makes it easy to take your installation to the next level.

**Outdoor Rain-Resistant  
Aluminum Enclosure**

**Optimized Wire Routing For  
Easy Installation**

**Tinted Flame-Retardant  
Polycarbonate Deadfront  
Panel**

**Generous Wiring / Conduit  
Knockouts**

**Wall, Roof or Pole  
Mountable**

**Accommodates dual 2/0  
AWG output wiring**

**Accommodates 150VDC DC  
Breakers or 600 VDC Fuses**

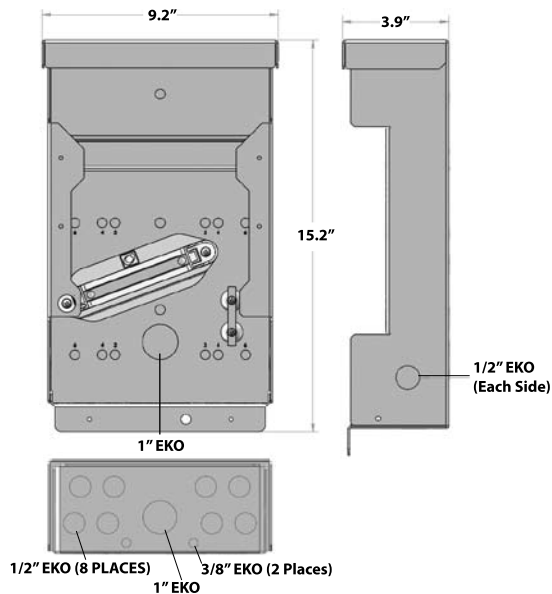
# FLEXware™ PV Specifications

## FWPV-8

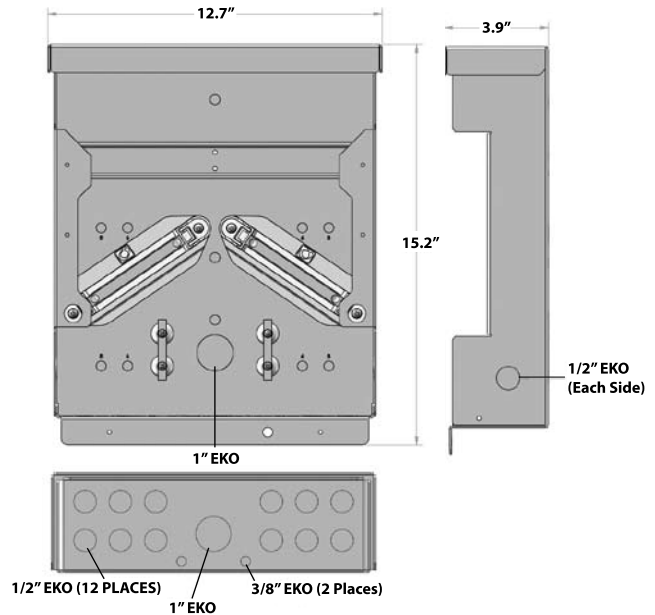
## FWPV-12

<b>Enclosure Material</b>	Powder coated aluminum with stainless steel hardware	Powder coated aluminum with stainless steel hardware
<b>Mounting Options</b>	Vertical wall mount, pole mount or sloped roof mount to 14 degrees incline (3 in 12 roof pitch)	Vertical wall mount, pole mount or sloped roof mount to 14 degrees incline (3 in 12 roof pitch)
<b>Enclosure Rating</b>	Outdoor Rainproof, UL Type 3R	Outdoor Rainproof, UL Type 3R
<b>Enclosure Security</b>	Padlock hole in chassis and cover for up to 3/8 inch pad lock	Padlock hole in chassis and cover for up to 3/8 inch pad lock
<b>Output Terminals</b>	#14 - 2/0 AWG (2.08 - 67.43 mm <sup>2</sup> ) Two box lug terminals included	#14 - 2/0 AWG (2.08 - 67.43 mm <sup>2</sup> ) Four box lug terminals included
<b>Number of separate circuits</b>	One Circuit	One or Two Circuits
<b>Number of 150VDC breakers</b>	up to 8	up to 12 (two groups of six)
<b>Number of 600VDC fuse holders</b>	up to 6	up to 8 (two groups of four)
<b>Input Terminal</b>	150VDC Breakers / #14 - 6 AWG (2.08 - 13.3 mm <sup>2</sup> ) 600VDC Fuse / #14 - 10 AWG (2.08 - 5.26 mm <sup>2</sup> )	150VDC Breakers / #14 - 6 AWG (2.08 - 13.3 mm <sup>2</sup> ) 600VDC Fuse / #14 - 10 AWG (2.08 - 5.26 mm <sup>2</sup> )
<b>Dimensions</b>		
Unit (H x W x D)	15.2 x 9.2 x 3.9" (38.7 x 23.3 x 9.9 cm)	15.2 x 12.7 x 3.9" (38.7 x 32.2 x 9.9 cm)
Shipping (H x W x L)	4.3 x 9.5 x 19" (10.9 x 24.1 x 48.3 cm)	4.3 x 13 x 19" (10.9 x 33 x 48.3 cm)
<b>Weight</b>		
Unit	4.4 lbs (2.0 kg)	5.9 lbs (2.7 kg)
Shipping	5.5 lbs (2.5 kg)	7.4 lbs (3.3 kg)

**FLEXware™ PV8**



**FLEXware™ PV12**



**OutBack**  
Power Systems™

**Main Office:**  
19009 62nd Avenue NE  
Arlington, WA 98223 USA  
Phone: (360) 435.6030  
Fax: (360) 435.6019

**European Office:**  
C/ Castelló, 17  
08830 - Sant Boi de Llobregat  
BARCELONA, España  
Phone: +34.93.654.9568

[www.outbackpower.com](http://www.outbackpower.com)

Available From:

