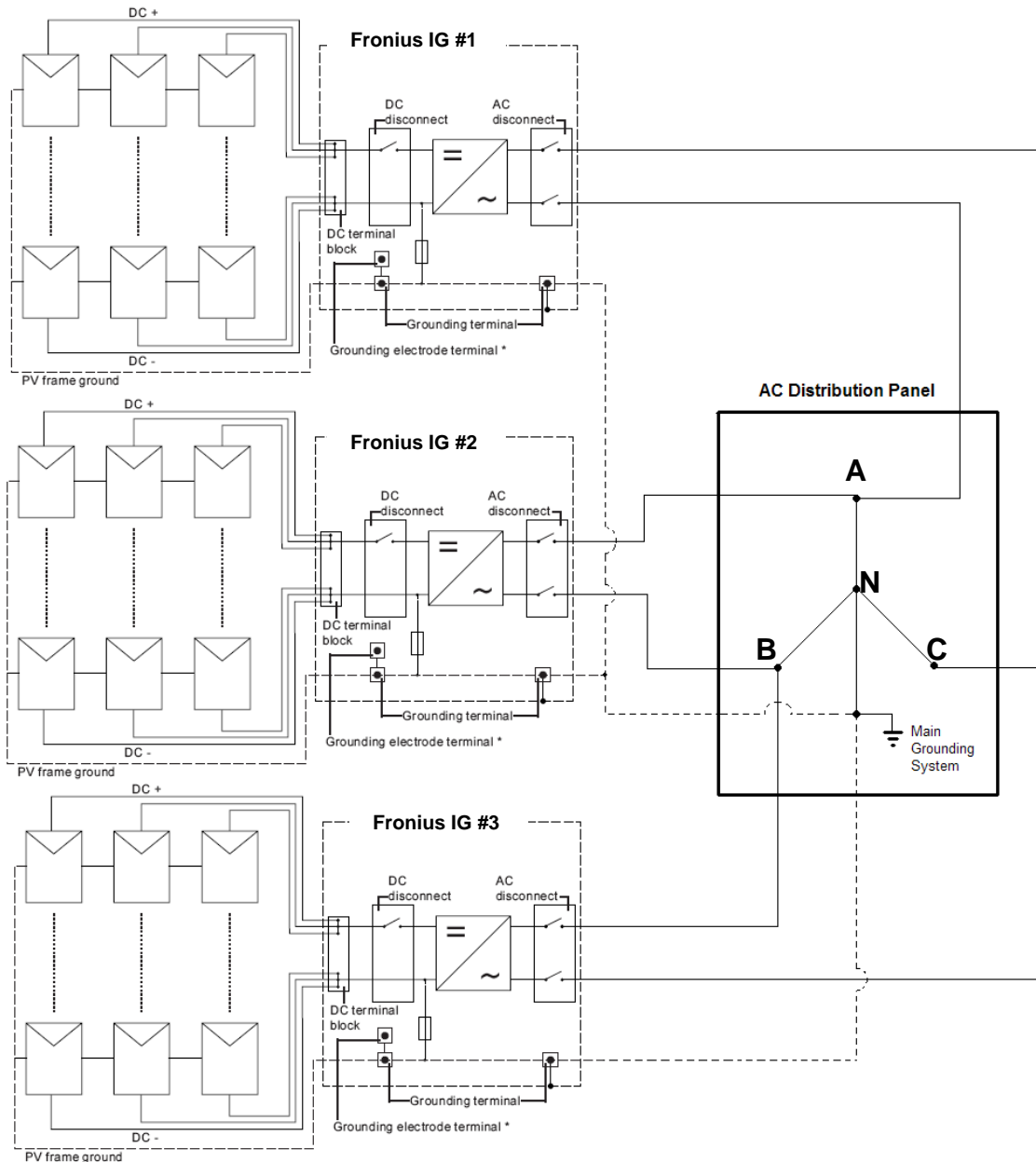


3-Phase Installations with the Fronius IG



Connections: The Fronius IG 2500-LV and 4500-LV are designed to be connected to three phase systems (208/120). The connection to the grid shall be done in the following way:

- Connect FRONIUS IG #1 to A and C
- Connect FRONIUS IG #2 to A and B
- Connect FRONIUS IG #3 to B and C

** Consult your utility for questions on balancing, or call your Fronius technician at (805)683-2200.