

**FW-IOB-S-230VAC**

**Input/Output/Bypass Assembly**

Installation Instructions



The OutBack Power Systems FW-IOB-S-230VAC allows manual switching between the FX Series Inverter/Charger and a second AC source, facilitating maintenance and power continuity.

## **About OutBack Power Systems**

OutBack Power Systems is a leader in advanced energy conversion technology. Our products include true sine wave inverter/chargers, a maximum power point charge controller, system communication components, as well as breaker panels, breakers, accessories, and assembled systems.

## **Notice of Copyright**

FW-IOB-S-230VAC Installation Instructions Copyright © 2006 All rights reserved.

## **Disclaimer**

UNLESS SPECIFICALLY AGREED TO IN WRITING, OUTBACK POWER SYSTEMS:

- (a) MAKES NO WARRANTY AS TO THE ACCURACY, SUFFICIENCY OR SUITABILITY OF ANY TECHNICAL OR OTHER INFORMATION PROVIDED IN ITS MANUALS OR OTHER DOCUMENTATION.
- (b) ASSUMES NO RESPONSIBILITY OR LIABILITY FOR LOSS OR DAMAGE, WHETHER DIRECT, INDIRECT, CONSEQUENTIAL OR INCIDENTAL, WHICH MIGHT ARISE OUT OF THE USE OF SUCH INFORMATION. THE USE OF ANY SUCH INFORMATION WILL BE ENTIRELY AT THE USER'S RISK.

## **Date and Revision**

April 11, 2007 REV C

## **Contact Information**

OutBack Power Systems, 19009 62nd Ave. NE, Arlington, WA 98223

Phone (360) 435-6030 Fax (360) 435-6019

[www.outbackpower.com](http://www.outbackpower.com)

## Requirements and Warnings

The OutBack FW-IOB-S-230VAC is intended as a system component and is included in a listing by ETL as indoor enclosures to UL standard UL 508A Industrial Control Panels.

This enclosure is intended for battery circuits configured for 12 to 48 volts nominal.

Grounding Instructions – Each enclosure should be connected to a grounded, permanent wiring system. For most installations, the negative battery conductor should be bonded to the grounding system at one (and only one) point in the DC system. All installations must comply with all national and local codes and ordinances. System grounding as required by the National Electric Code, ANSI /NFPA 70-1996, is the responsibility of the system installer.

The equipment ground is marked with this symbol: 

# FW-IOB-S-230VAC Parts List

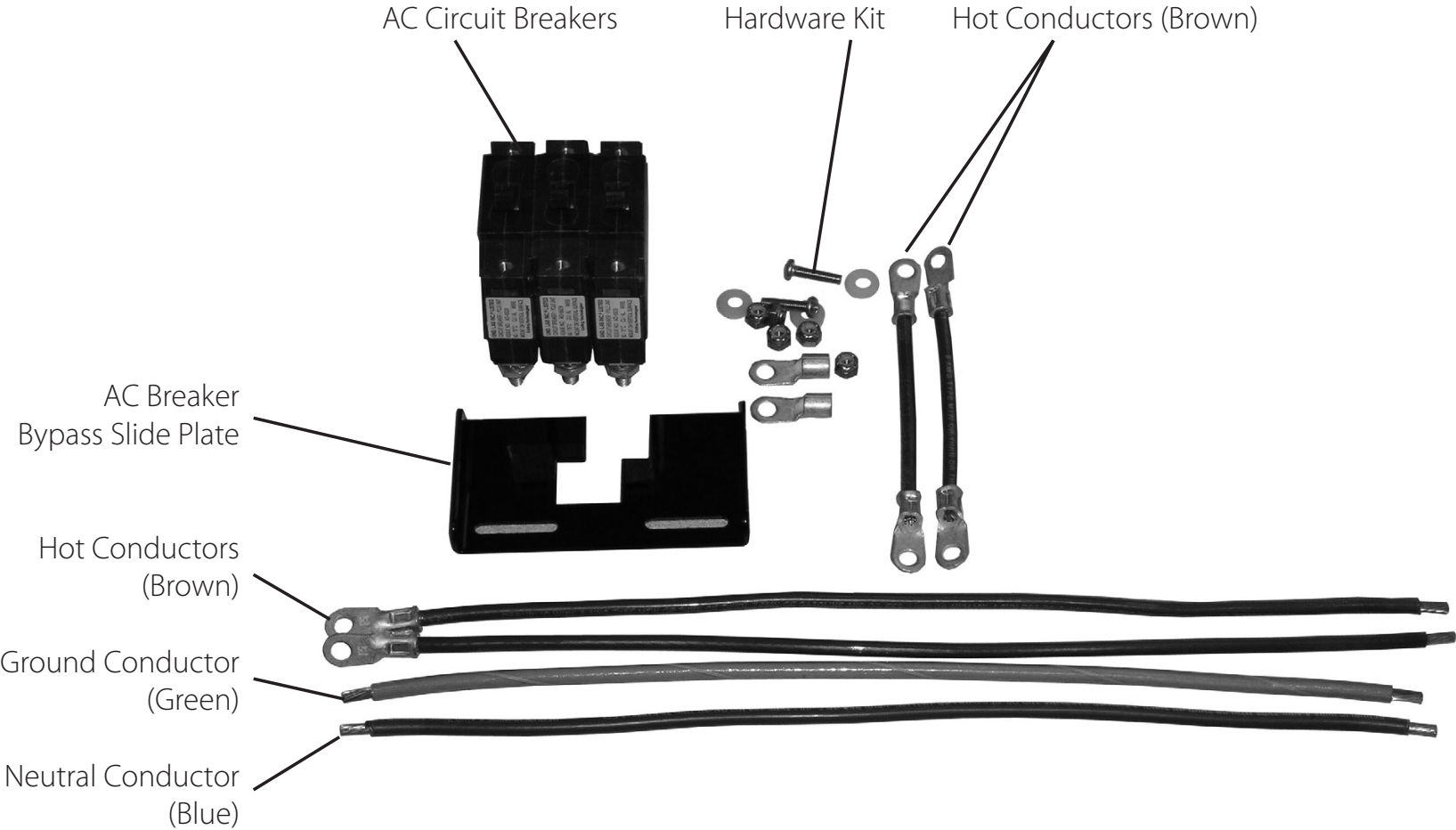


Figure 1: FW-IOB-S-230VAC

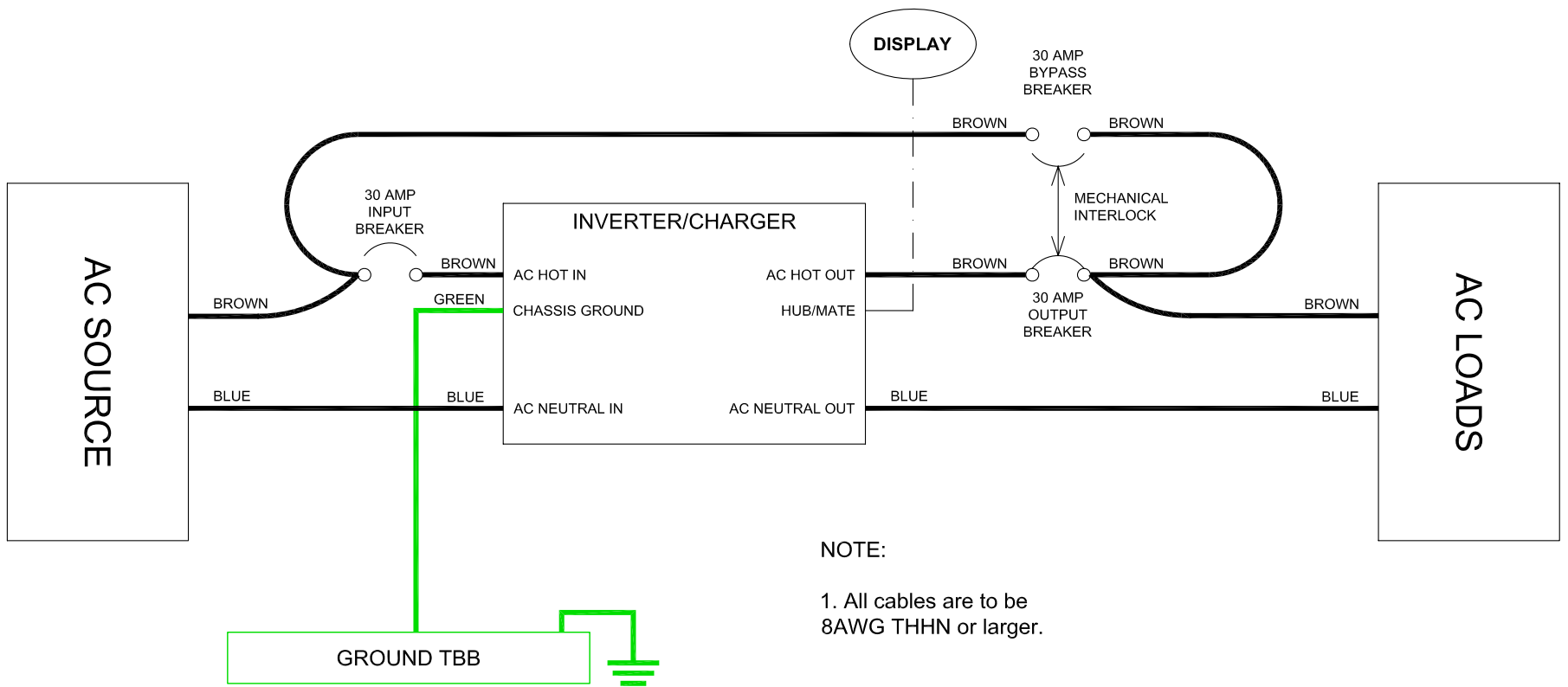
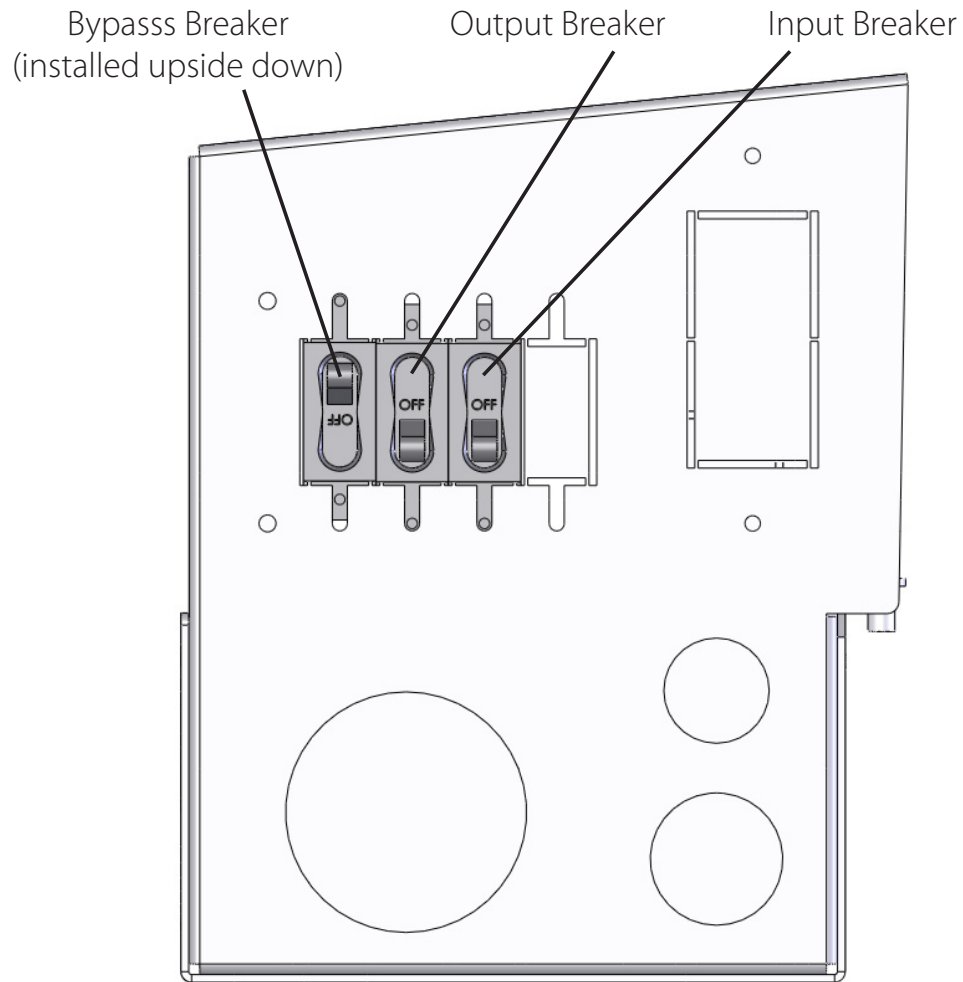


Figure 2: Placement of Bus Bars

## Installing FW-IOB-S-230VAC

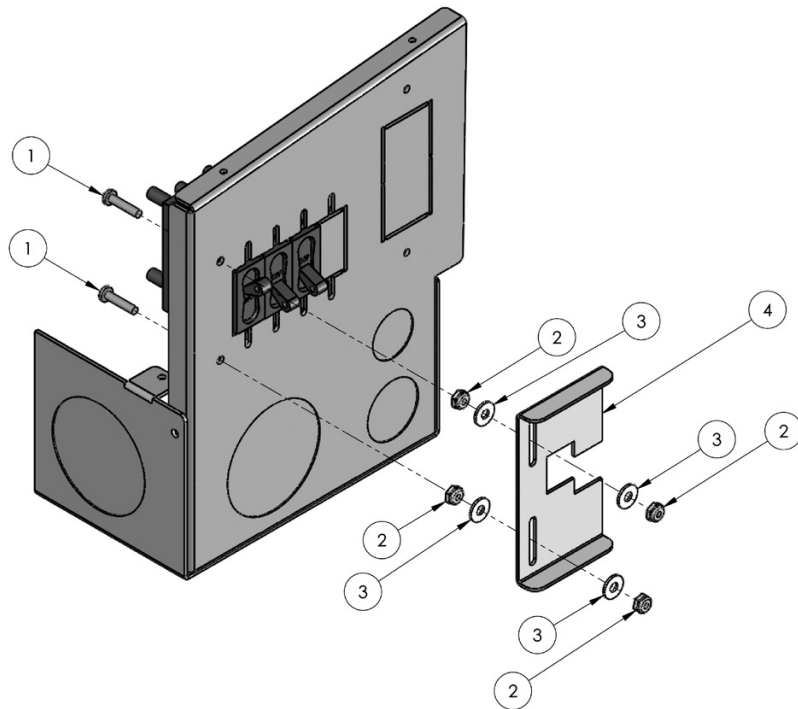


**Figure 3:** AC Breaker Installation

Installing AC Breakers in FLEXware 250:

- Remove the appropriate AC breaker knockouts from the AC side of chassis.
- Insert breakers into openings and secure with fasteners provided in the FW250 Hardware Kit.

## Installing the FW250 AC Bypass Slide Plate



**Figure 4:** FW250 AC Bypass Plate Installation

### Parts:

1. 8-32 X .75 Machine Screws (2)
2. 8-32 Nylock Nuts (4)
3. Nylon Washers (4)
4. FW250 AC Bypass Slide Plate (1)

### To Assemble:

1. A partial view of the FLEXware 250 chassis is shown for slide plate assembly clarity.
2. Remove the necessary circuit breaker knockouts first.
3. Install the AC Bypass Slide Plate as shown in the illustration. Do not over tighten the Nylock nuts. Overtightening can cause the AC Bypass Breaker Slide Plate to bind.



19009 62nd Avenue NE  
Arlington, WA USA  
(+1) 360-435-6030

European Sales Office  
Barcelona, España  
(+34) 600-843-845

[www.outbackpower.com](http://www.outbackpower.com)

900-0067-01-00 REV C