
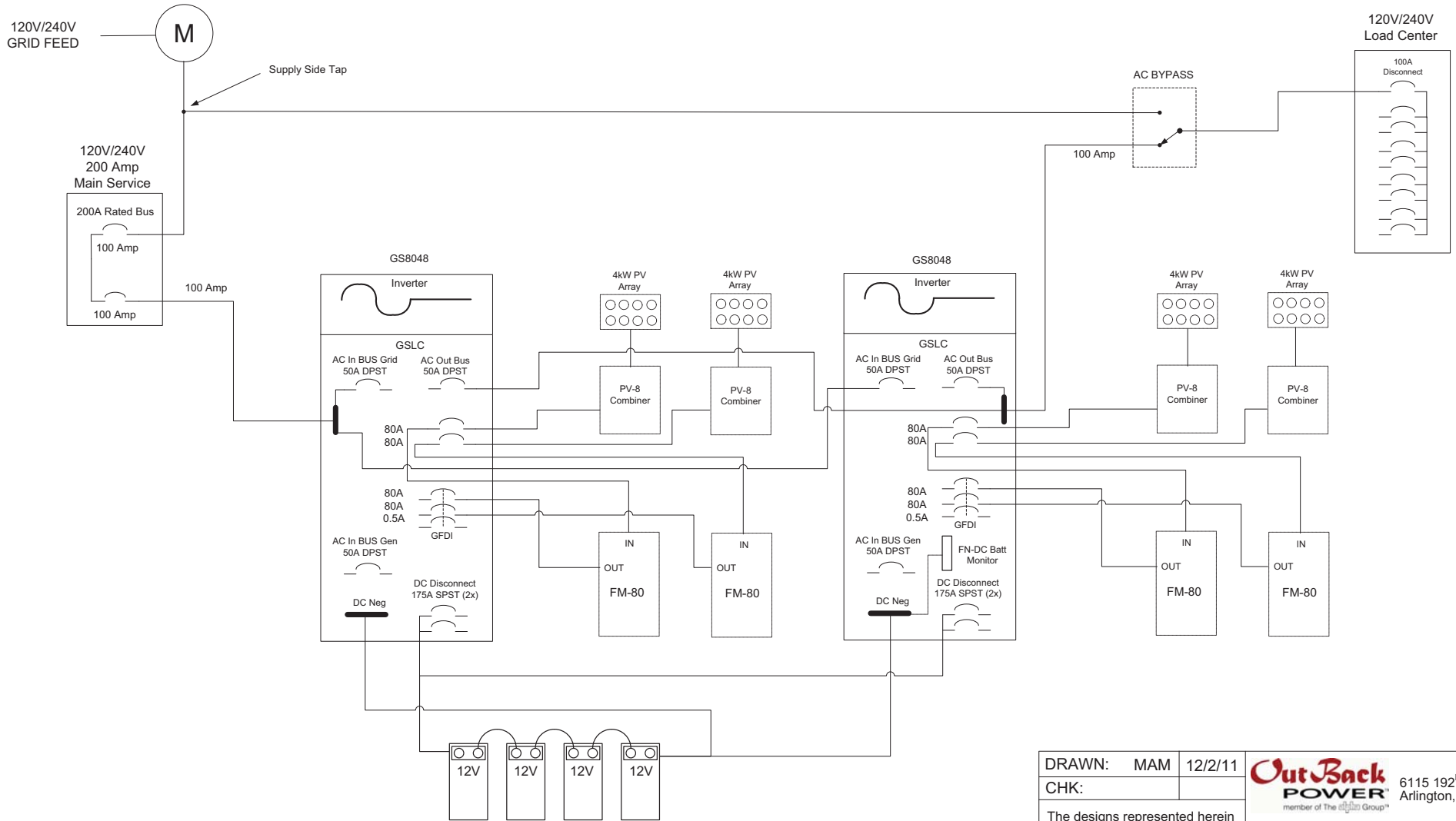

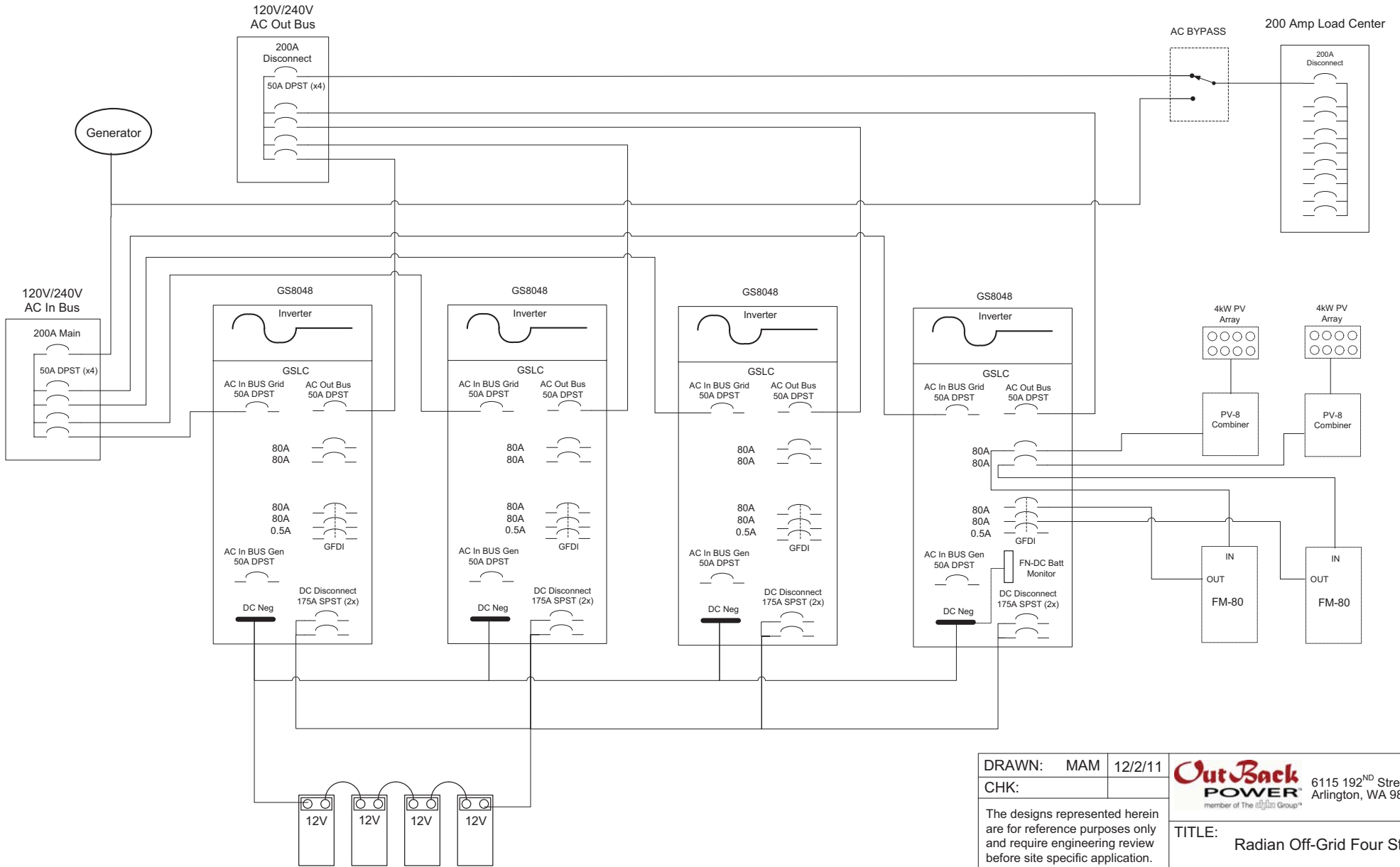



|   |             |  |
|---|-------------|--|
| DRAWN: MAM  | 12/2/11     |  6115 192 <sup>ND</sup> Street NE<br>Arlington, WA 98223<br><small>member of The Sun Group™</small> |
| CHK:  |             |  |
| The designs represented herein are for reference purposes only and require engineering review before site specific application. These drawings are the property of OutBack Power and shall not be copied or used without written consent. |             | <b>TITLE:</b><br>Radian Grid Interactive Two Stack   |
| SIZE  | DRAWING NO. | REV  |
|   |             | 3  |
| SCALE:  | PAGE        | 1 of 1   |



|   |             |         |   |
|---|-------------|---------|---|
| DRAWN:  | MAM         | 12/2/11 |  6115 192 <sup>ND</sup> Street NE<br>Arlington, WA 98223<br><small>member of The Sun Group</small> |
| CHK:  |             |         |   |
| The designs represented herein are for reference purposes only and require engineering review before site specific application. These drawings are the property of OutBack Power and shall not be copied or used without written consent. |             |         | <b>TITLE:</b><br>Radian Grid Interactive Two Stack  |
| SIZE  | DRAWING NO. | REV     |   |
|   |             | 4       |   |
| SCALE:  | PAGE        | 1 of 1  |   |



|   |             |         |  |
|---|-------------|---------|--|
| DRAWN:  | MAM         | 12/2/11 |  6115 192 <sup>ND</sup> Street NE<br>Arlington, WA 98223<br><small>member of The Sun Group™</small> |
| CHK:  |             |         |  |
| The designs represented herein are for reference purposes only and require engineering review before site specific application. These drawings are the property of OutBack Power and shall not be copied or used without written consent. |             |         | TITLE:<br><b>Radian Off-Grid Four Stack</b>  |
| SIZE  | DRAWING NO. | REV     |  |
|   |             | 3       |  |
| SCALE:  | PAGE 1 of 1 |         |  |