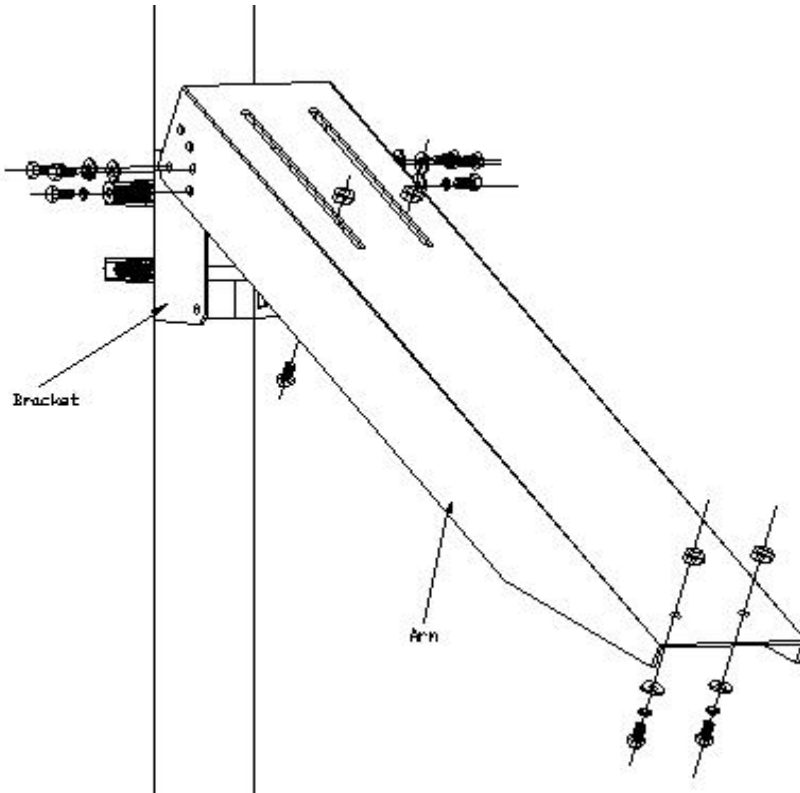


## Solartech Power Universal Side-of-Pole Mount Installation Guide



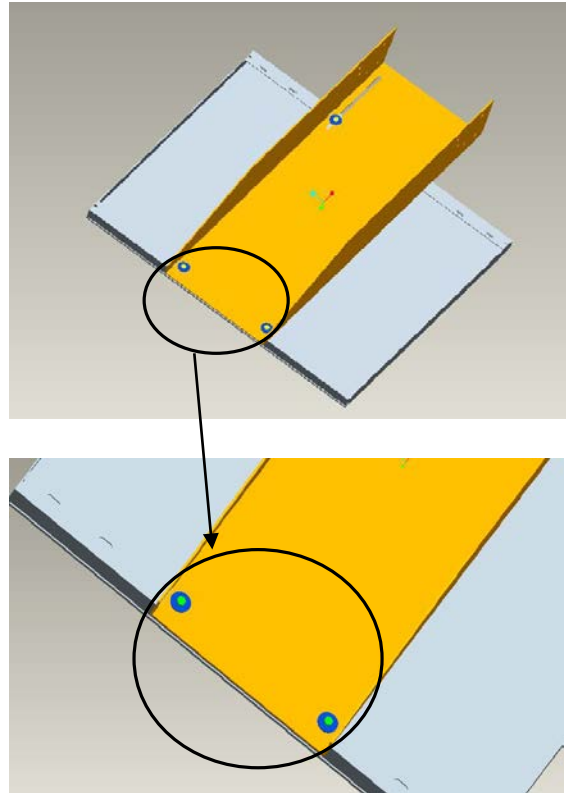
The Mount supports PV modules:

**SPM040P, SPM045P, SPM050P, SPM055P,  
GAP045P, GAP055P**

Component List		
Part	Qty	ID code
Bracket	1	1
Arm	1	2
U-Bolt	2	4
M8 U-Clamp for 2.5" pole	2	
M8 尼龙 hex-cap bolt for U-bolt	4	
M6 *25 hex-cap bolt for Bracket	6	
M6 flat washer for Bracket	6	
M6 split lock washer for Bracket	6	
M6 *18 hex-cap bolt for PV Module	4	
M6 flat washer for PV Module	4	
M6 split lock washer for PV Module	4	
M6 hex nut for PV Module	4	

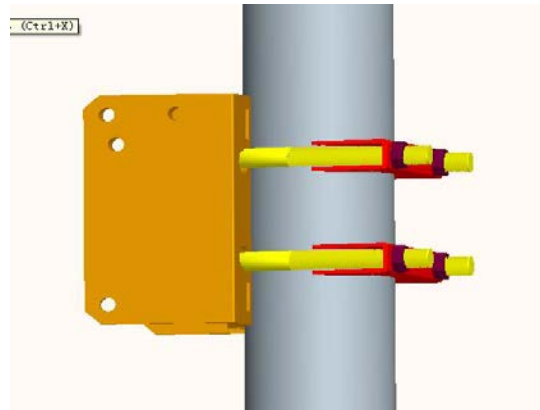
### Step 1 - mounting the arm to the PV module

Lay the PV Module face-down on a protected flat surface then install the PV mounting bolt and washer and nuts as shown in the picture.



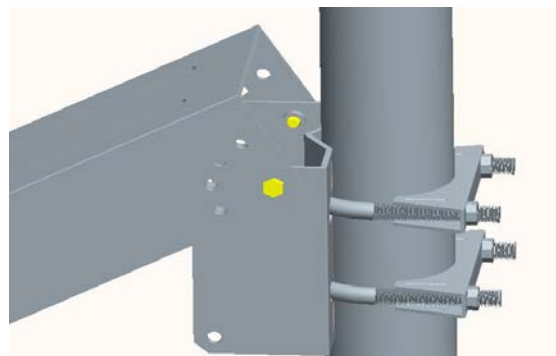
### Step 2 - attaching the bracket to the pole

Adjust the backing bracket to desire height and then attached the U-clamp on the pole as shown in picture.

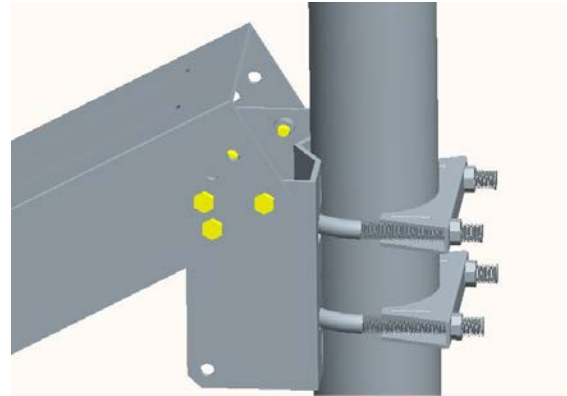


### Step 3 - attaching the panel/arm assembly to the bracket

Insert the pivot bolt and flat washer first this will enable you to adjust the angle.



Adjust the arm piece to desire angle and insert the bolt from outside and insert the washer from inside and tighten the bolt. Make sure you have two sets on each side installed.



Adjust the tilt of the panel as desired, and tighten the bolts

