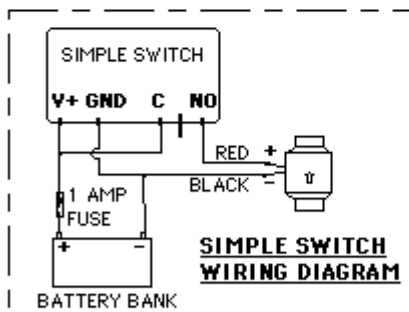
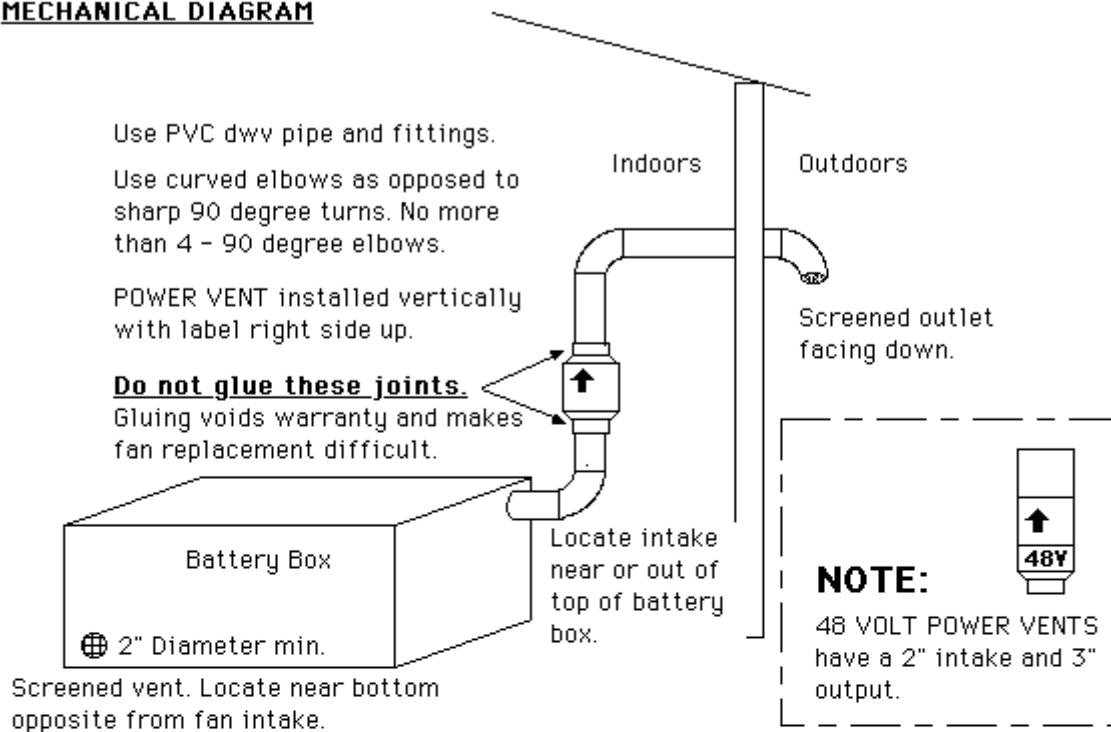
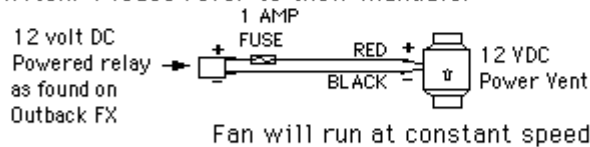


POWER VENT INSTALLATION DIAGRAMS

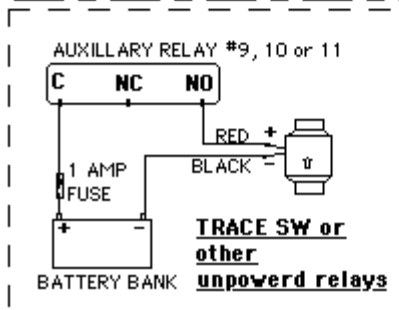
MECHANICAL DIAGRAM



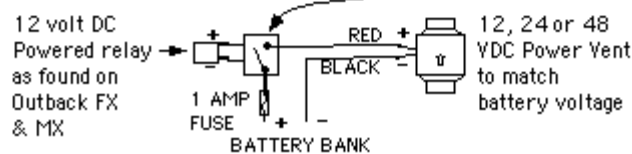
OUTBACK INVERTERS and others may have a 12 volt powered relay that can power a 12 volt Power Vent directly or power an extra relay in lieu of a Simple Switch. Please refer to their manuals.



*The MX Charge Controller aux. relay does not provide enough power to run the fan, use the option below.



Option: Run Power Vent on actual battery voltage by using additional 12 volt relay.



This configuration allows the fan to increase speed and output as voltage and gassing increases.