

DESCRIPTION:

SNAPNRACK, FLASHED L FOOT

DRAWN BY:

M. Watkins

REVISION:

A

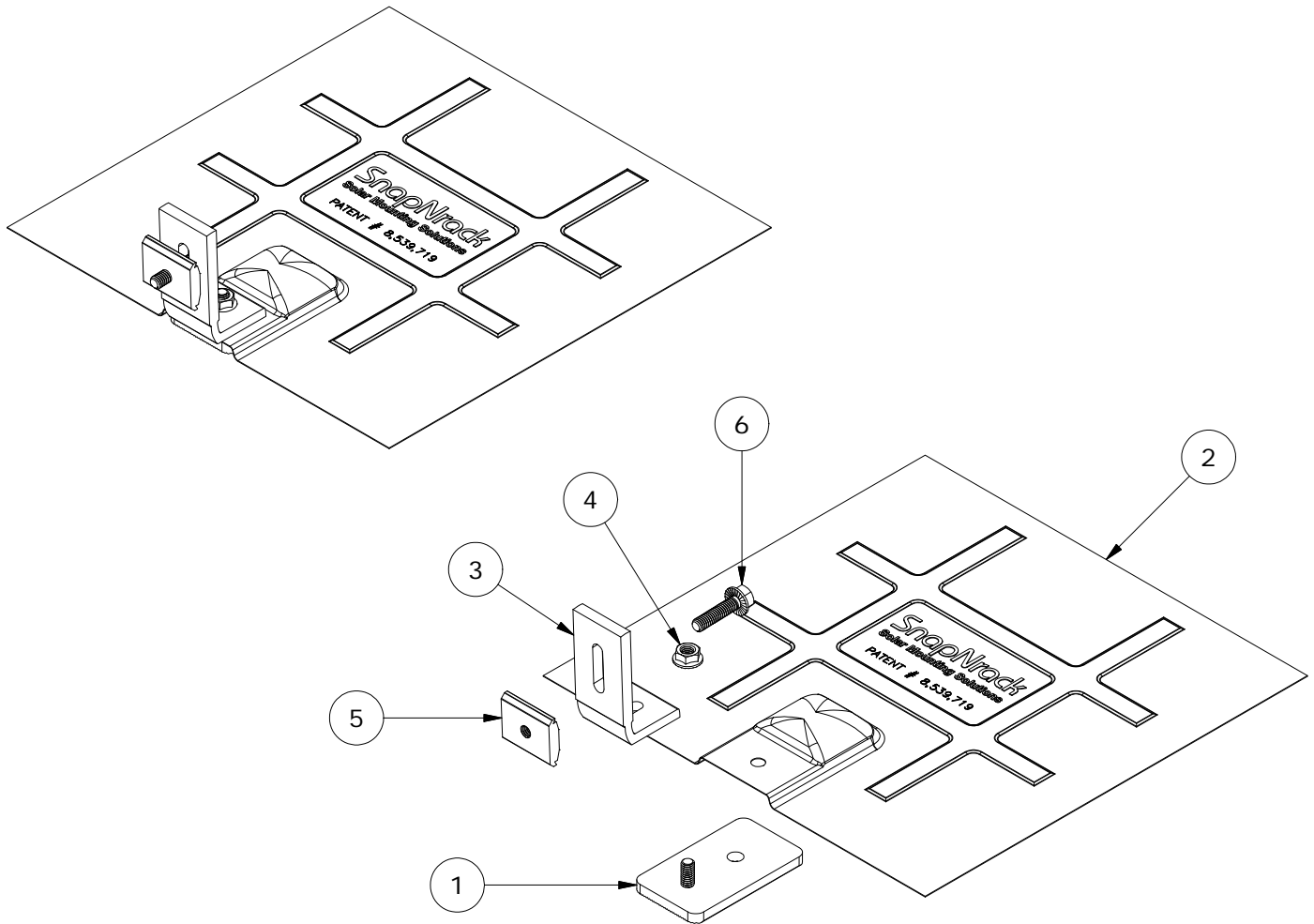
SnapNrack™
Solar Mounting Solutions

PART NUMBER(S):

242-92047, 242-92048, 242-92050, 242-92051

595 MARKET STREET, 29TH FLOOR • SAN FRANCISCO, CA 94105 USA
PHONE (415) 580-6900 • FAX (415) 580-6902

THE INFORMATION IN THIS DRAWING IS CONFIDENTIAL AND PROPRIETARY. ANY REPRODUCTION, DISCLOSURE, OR USE THEREOF IS PROHIBITED WITHOUT THE WRITTEN CONSENT OF SUNRUN SOUTH LLC.



PARTS LIST

ITEM	QTY	DESCRIPTION
1	1	SNAPNRACK, L FOOT BASE, MILL
2	1	SNAPNRACK, L FOOT FLASHING, 12IN X 12IN, BLACK GALV
3	1	SNAPNRACK L FOOT, COMPOSITION 92DEG, CLEAR / BLACK
4	1	NUT, FLANGE, SERRATED, 5/16IN-18, SS
5	1	SNAPNRACK CHANNEL NUT 5/16IN-18
6	1	BOLT, FLANGED HEX, 5/16IN-18 X 1-1/4IN, SS

MATERIALS:

6000 SERIES ALUMINUM, STAINLESS STEEL

OPTIONS:

DESIGN LOAD (LBS):

500 UP, 400 DOWN, 300 SIDE

CLEAR / BLACK ANODIZED

ULTIMATE LOAD (LBS):

928 UP, 839 DOWN, 754 SIDE

GALV STEEL / ALUM FLASHING

TORQUE SPECIFICATION:

10+ LB-FT

CERTIFICATION:

UL 2703, FILE E359313

WEIGHT (LBS):

0.90 - 1.25

DESCRIPTION:

SNAPNRACK, FLASHED L FOOT

DRAWN BY:

M.Watkins

REVISION:

A

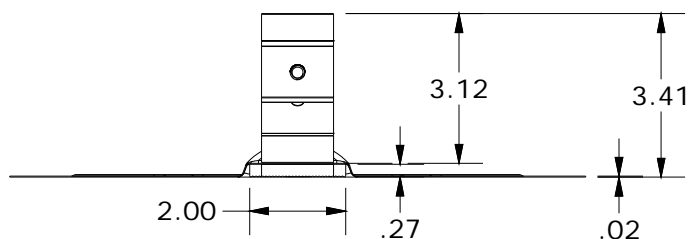
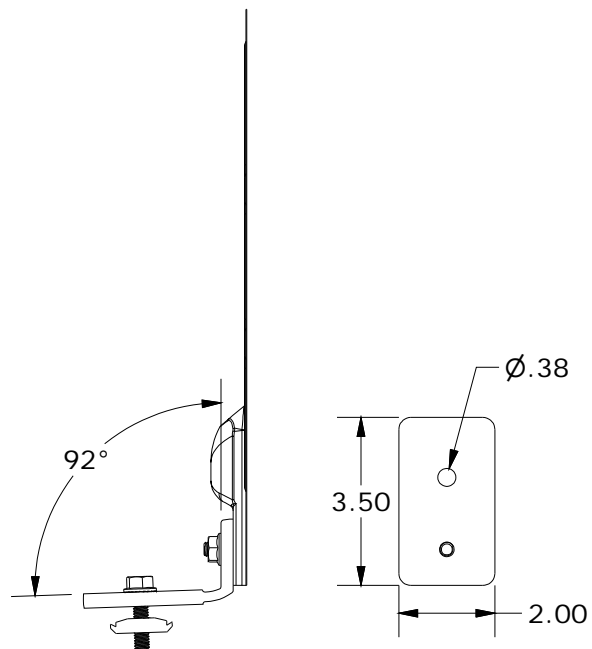
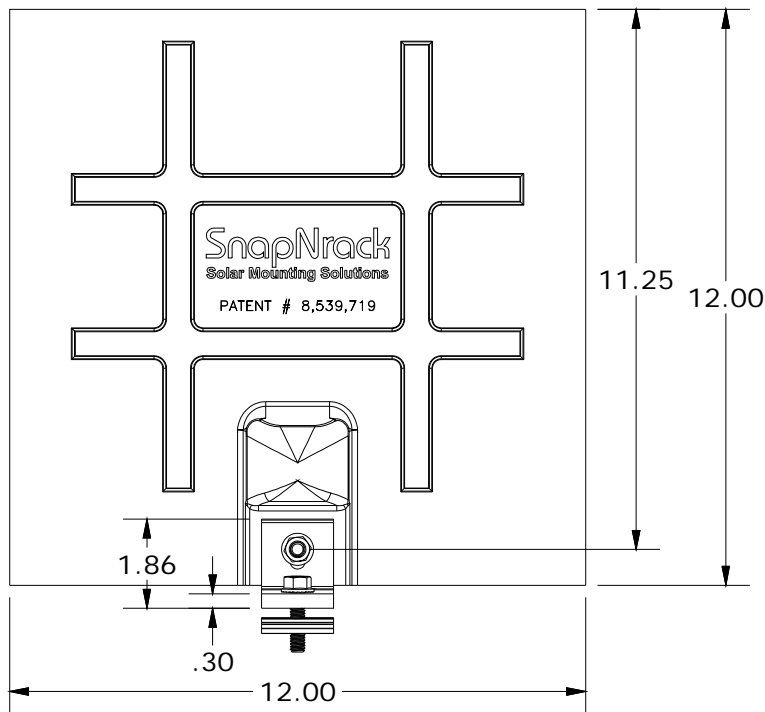


PART NUMBER(S):

242-92047, 242-92048, 242-92050, 242-92051

595 MARKET STREET, 29TH FLOOR • SAN FRANCISCO, CA 94105 USA
PHONE (415) 580-6900 • FAX (415) 580-6902

THE INFORMATION IN THIS DRAWING IS CONFIDENTIAL AND PROPRIETARY. ANY REPRODUCTION, DISCLOSURE, OR USE THEREOF IS PROHIBITED WITHOUT THE WRITTEN CONSENT OF SUNRUN SOUTH LLC.



FLASHED L FOOT PROPERTIES		
SKU	FLASHING MATERIAL	L FOOT FINISH
242-92047	SILVER ALUMINUM	CLEAR
242-92048	BLACK ALUMINUM	BLACK
242-92050	BLACK GALV STEEL	CLEAR
242-92051	BLACK GALV STEEL	BLACK

ALL DIMENSIONS IN INCHES



Available from:

SolarPanelStore.com
EVERYTHING YOU NEED TO GO SOLAR!