

SP10P

POLY-CRISTALLINE SOLAR MODULE 12V

36 CELLE 52x39mm



With a power output ranging from 10W up to 150W our off-grid solar panels are very versatile, and can be used on camping vans, mountain huts, boats and for every other off-grid application.

Our off-grid panels also ensure high performances even when it comes to generating electricity at low voltage (12V), and are therefore particularly suitable for public lighting.

These panels represent the ideal choice for installations in secluded or isolated areas.



High reliability with guaranteed 0 to +5W power output tolerance



30 Year Linear Power Warranty
12 Year Product Warranty



Excellent performance under different light conditions



IP65 JUNCTION BOX
Able to withstand the most varied atmospheric conditions



Passing mechanical load test of 5400 Pa to withstand heavier snow load and 2400 Pa to withstand wind pressure



Compact and ultra-light aluminum frame with 17mm thickness to handle the panel in an easier way



ELECTRICAL CHARACTERISTICS (STC)*

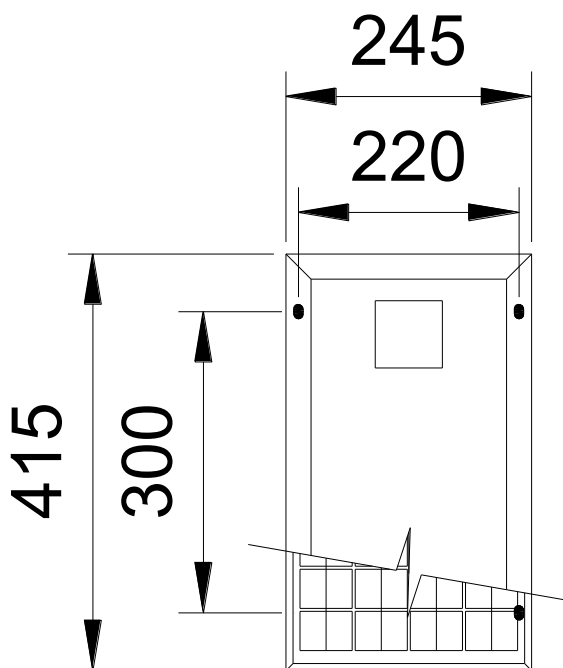
	SP10P
Nominal Output (Pmax) [W]	10
Flash Test Power Classification [W]	0 / +5
Voltage at Pmax (Vmp) [V]	16.5
Current at Pmax (Imp) [A]	0.61
Open Circuit Voltage (Voc) [V]	20.0
Short Circuit Current (Isc) [A]	0.70
Maximum System Voltage [V]	1000
Maximum Series Fuse Rating [A]	13.70
Cell Efficiency [%]	9.84

STC* (Standard Test Condition): Irradiance 1000W/m², Module Temperature 25°C, Air Mass 1.5

MECHANICAL CHARACTERISTICS

Solar Cells	36(4x9) poly-crystalline cells 52x39 mm
Front Cover	3.2 mm thick, low iron tempered glass
Back Cover	TPT (Tedlar-PET-Tedlar)
Encapsulant	EVA (Ethylene vinyl acetate)
Frame	Anodized aluminium alloy, double wall
Diodes	3 Bypass diodes serviceable
Junction Box	IP65 rated
Connector	n.d
Cables	n.d
Dimensions	415 x 245 x 17 mm
Weight	1.3 kg
Max. Load	Certified to 5400 Pa

DIMENSIONS



TEMPERATURE CHARACTERISTICS

NOCT**	45±2 °C
Temperature Coefficient of Pmax	-0.43 %/°C
Temperature Coefficient of Voc	-0.32 %/°C
Temperature Coefficient of Isc	0.047 %/°C
Operating Temperature	-40°C ~ +85°C

NOCT**: Nominal Operation Cell Temperature Sun 800W/m²; Air 20°C; Wind speed 1m/s

PACKING CONFIGURATION

Box dimensions	435 x 260 x 30 mm
Pieces per pallet	1 pcs
Weight	1.4 kg

* Pallets can be stacked up to two

CURRENT / VOLTAGE CHARACTERISTICS

