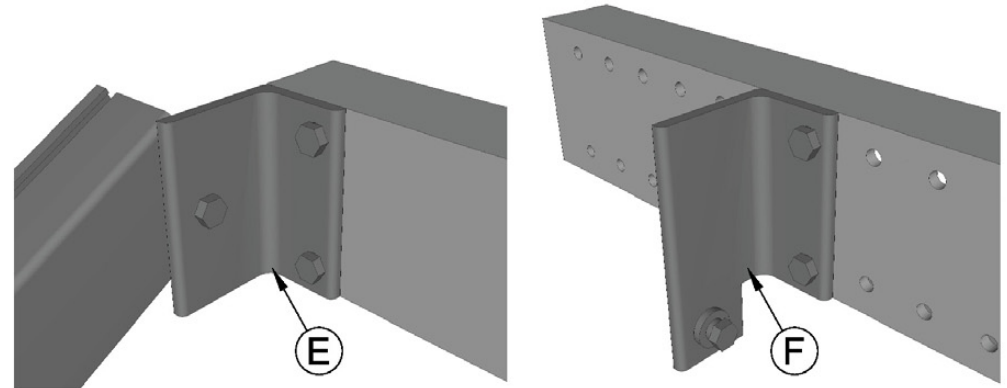


**CUSTOM** (1 PANEL SHOWN)  
PUNCHED FOR SPECIFIC MODULE TYPES

**UNIVERSAL** (2 PANELS SHOWN)  
PUNCHED CHANNEL FOR A VARIETY OF MODULE TYPES

- (A) TOP CHANNEL: TOP AND BOTTOM CHANNEL MAY COME WITH MULTIPLE HOLES FOR UNIVERSAL ADJUSTMENT OR CUSTOM PUNCHED CHANNEL FOR A SPECIFIC MODULE TYPE.
- (B) BOTTOM CHANNEL:
- (C) PANEL RAILS: MAY EITHER BE ALUMINUM ANGLE WITH HOLES PUNCHED FOR MOUNTING YOUR PANEL, OR T-SLOT UNIVERSAL ALUMINUM EXTRUSIONS FOR SLIDING YOUR PANEL MOUNTING BOLTS IN, DEPENDING ON THE MODEL YOU ORDERED.
- (D) BRACES: ALUMINUM ANGLE
- (E) TOP BRACKET
- (F) BOTTOM BRACKET



Rail and brace dimensions may vary depending on the model of SOP you order. Custom attachment systems for larger posts also available.

NUMBER OF PANELS MAY VARY

<b>SIDE OF POLE MOUNT FOR 1 OR 2 PV PANELS</b>	
Standard design for for 3 or 4" sched. 40 or 80 pipe	
	REVISION:
Not to Scale	05.27.14